

1

a b c d e

a b 2 4 5 1

A
a, b, c, d

2

h i

h i

3

B

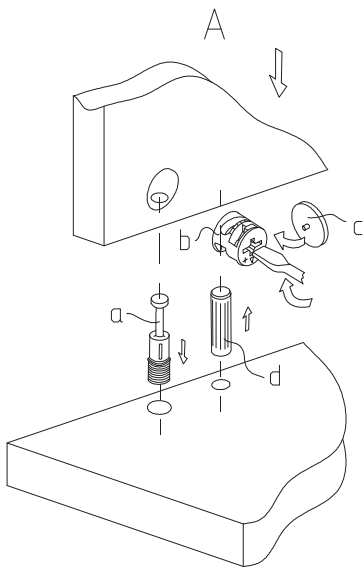
f g

B f g 6

4

f g m* l* i j

f g m* l* i j 7* 8



№	
1	1
2	1
3	1
4	1
5	1
6	1
7*	2
8	1
9	3

a	8
b	8
c	8
d	4
e	5
f	16
g	16
h	12
i	16
j	1

